



**Advanced Card Systems Ltd.**  
Card & Reader Technologies

# ACR1281U-C2 Card UID Reader



Technical Specifications V1.02



## Table of Contents

1.0.	Introduction .....	3
2.0.	Features .....	4
3.0.	Typical Applications.....	5
4.0.	Technical Specifications.....	6

## List of Figure

Figure 1 :	ACR1281U-C2 Sample Application .....	3
------------	--------------------------------------	---



## 1.0. Introduction

ACR1281U-C2 is a contactless card UID (Unique Identification Number) reader especially designed to get the UID of any ISO 14443 Parts 1-4 Type A and B-compliant contactless card in an efficient way.

When a contactless card (e.g., MIFARE® DESFire® card) is tapped onto the ACR1281U-C2, the reader retrieves the UID and automatically returns the UID to the computer. Since it is HID (Human Interface Device)-compliant, this device does not require any additional driver to be installed in the computer. However, its only function is to retrieve the card's UID and display it directly in any text editor such as Notepad, Microsoft® Excel and Microsoft® Word. The ACR1281U-C2 also has an anti-collision feature that ensures only one card is accessed when multiple cards are presented at the same time.

ACR1281U-C2 Card UID Reader is HID-compliant. It can also support Windows®, Linux®, Mac OS®, and other embedded systems.



**Figure 1:** ACR1281U-C2 Sample Application



## 2.0. Features

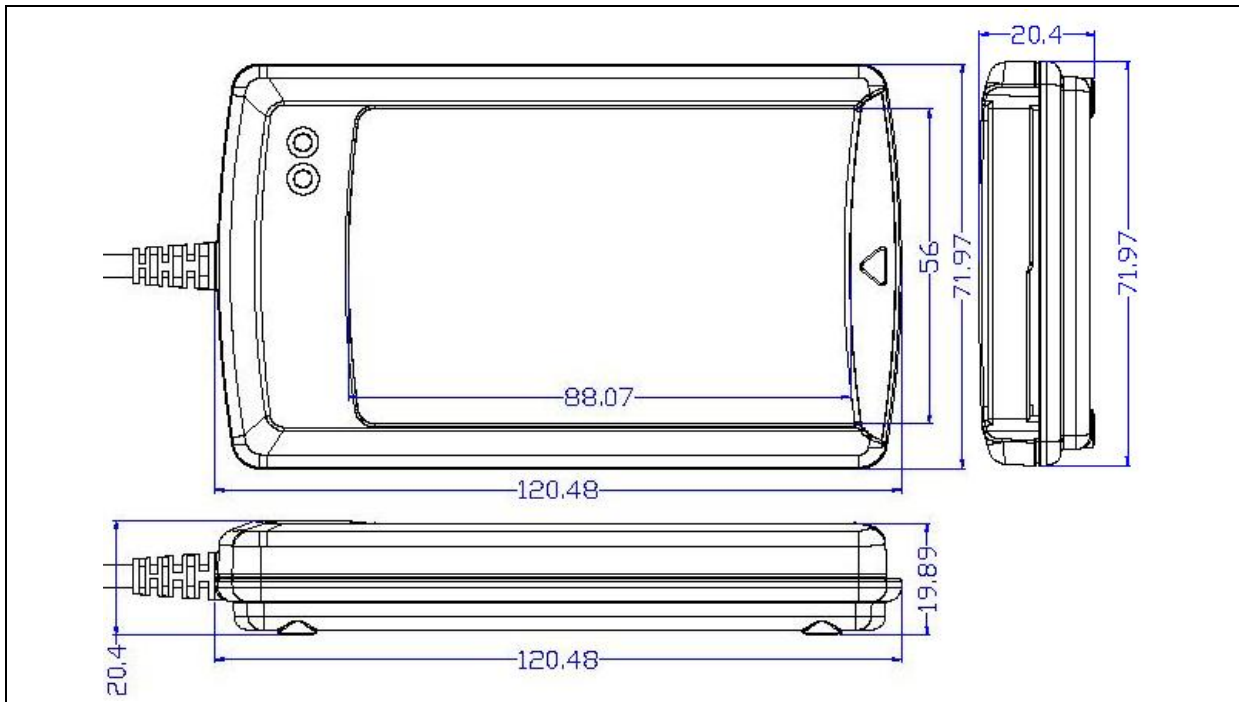
- USB 2.0 Full Speed Interface
- USB HID Keyboard Class Emulation
- Smart Card Reader:
  - Contactless Interface:
    - Read/Write speed of up to 848 Kbps
    - Built-in antenna for contactless tag access, with card reading distance of up to 50 mm (depending on tag type)
    - Supports ISO 14443 Part 4 Type A and B cards, and MIFARE® cards
    - Built-in anti-collision feature (only one tag is accessed at any time)
- USB Firmware Upgradability
- Compliant with the following standards:
  - ISO 14443
  - USB HID
  - CE
  - FCC
  - RoHS 2



### **3.0. Typical Applications**

- e-Government
- e-Banking and e-Payment
- e-Healthcare
- Transportation
- Network Security
- Access Control
- Loyalty Program

## 4.0. Technical Specifications



### Physical Characteristics

Dimensions ..... 120.5 mm (L) x 72.0 mm (W) x 20.4 mm (H)  
 Weight ..... 140 g  
 Color ..... Black

### USB Host Interface

Protocol ..... USB HID Keyboard Class  
 Connector Type ..... Standard Type A  
 Power Source ..... From USB port  
 Speed ..... USB Full Speed (12 Mbps)  
 Supply Voltage ..... 5 V  
 Supply Current ..... Max. 200 mA  
 Cable Length ..... 2.0 m, Fixed

### Contactless Smart Card Interface

Standard ..... ISO 14443 A and B Parts 1-4  
 Protocol ..... ISO 14443 T=CL for ISO 14443-4-compliant cards  
 ..... T=CL Emulation for MIFARE Classic  
 Operating Frequency ..... 13.56 MHz  
 Operating Distance ..... Up to 50 mm (depending on card type)  
 Smart Card Read/Write Speed ..... 106 Kbps, 212 Kbps, 424 Kbps, 848 Kbps  
 Antenna Size ..... 65 mm x 60 mm

### Built-in Peripherals

LED ..... 2 single-color: Red and Green  
 Buzzer ..... Monotone

### Other Feature

Firmware Upgrade ..... Supported

### Operating Conditions

Temperature ..... 0 °C – 50 °C  
 Humidity ..... Max. 90% (non-condensing)  
 MTBF ..... 500,000 hrs

### Certifications/Compliance

ISO 14443, USB Full Speed, USB HID, CE, FCC, RoHS 2



**Operating System Support**

Windows®, Linux®, Mac OS®



Linux® is the registered trademark of Linus Torvalds in the U.S. and other countries.  
Mac OS is a trademark of Apple Inc., registered in the U.S. and other countries.  
Microsoft and Windows are registered trademarks of Microsoft Corporation in the United States and/or other countries.  
MIFARE is a registered trademark of NXP B.V. and are used under license.